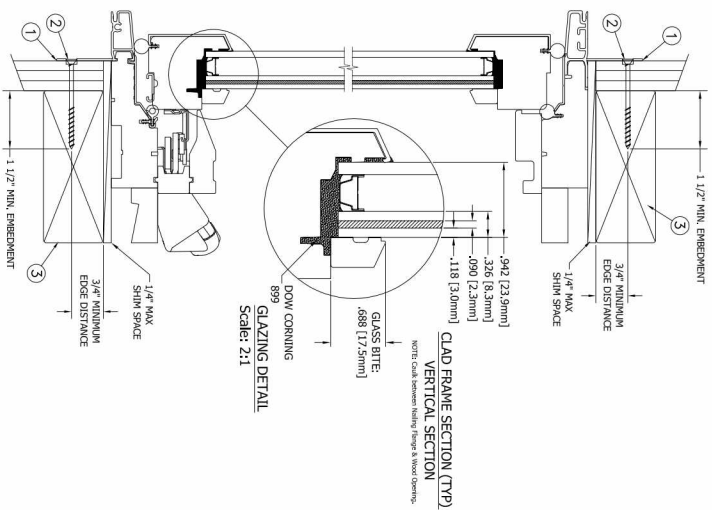
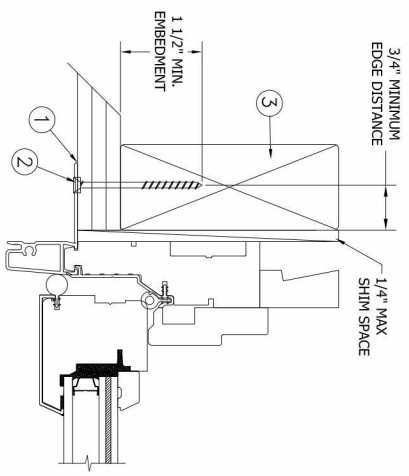


TYPICAL ELEVATION WITH FASTENER SPACING



CLAD FRAME SECTION (TYP)  
VERTICAL SECTION  
NOTE: Caulk between Mulling Flange & Wood Opening.  
Scale: 2:1



FRAME JAMB SECTION (TYP)  
HORIZONTAL SECTION  
NOTE: Caulk between Mulling Flange & Wood Opening.

NAILFIN INSTALLATION

Max Frame	DP Rating	Impact
28" X 84"	+50/-65	YES

**Installation Notes:**

1. Seal flange/frame to substrate.
2. Use #6 PH or greater fastener through the nailfin on all sides with sufficient length to penetrate a minimum of 1 1/2" into the wood framing. For 2x wood frame substrate (min. S.G. = 0.42)
3. Host structure (wood buck, masonry, steel) to be designed and anchored to properly transfer all loads to the structure. The host structure is the responsibility of the architect or engineer of record for the project of installation.

**General Notes:**

1. The product shown herein is designed tested and manufactured to comply with the wind load criteria of the adopted International Building Code (IBC), the International Residential Code (IRC), the Florida Building Code (FBC) and the industry requirement for the stated conditions.
2. All glazing shall conform to ASTM E1300.
3. At minimum, glazing shall be double strength annealed insulating glass.
4. Use structural or composite shims where required.

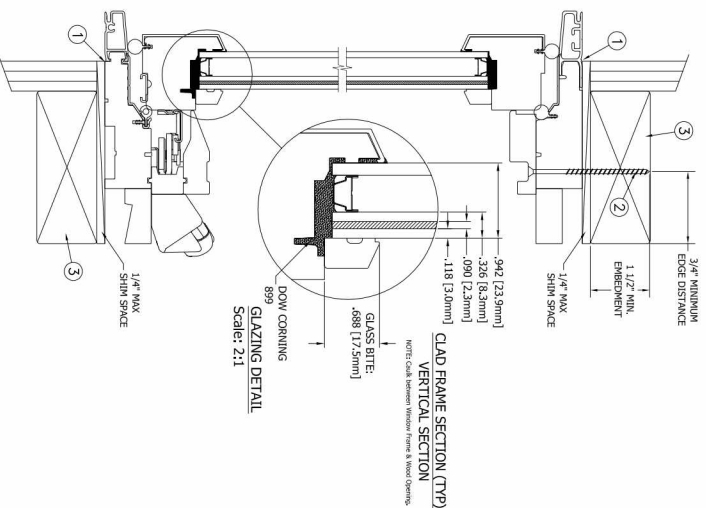
This schedule addresses only the fasteners required to anchor the window to achieve the rated design pressure and impact performance (where applicable) up to the size limitations noted. It is not intended as a guide to the installation process and does not address the sealing consideration that may arise in different wall conditions. For the complete installation procedure, see the instructions packaged with the window or go to [www.jeld-wen.com/resources/installation](http://www.jeld-wen.com/resources/installation).

**DISCLAIMER:**  
This drawing and its contents are confidential and are not to be reproduced or copied in whole or in part or used or disclosed to others except as authorized by JELD-WEN Inc.

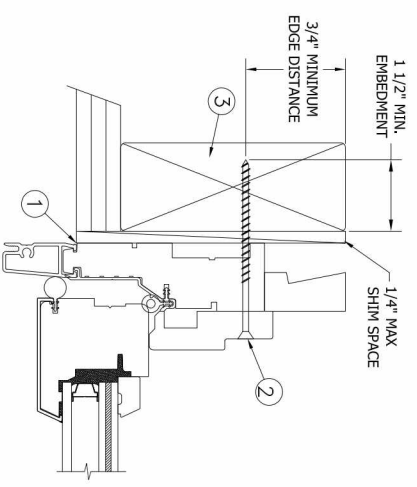
PROJECT ENGINEER: ---	DATE: 08/22/2016		3737 Lakeport Blvd Klamath Falls, OR, 97601 Phone: (800) 535-3936
DRAWN BY: J.HAWKINS	SCALE: NTS		
CHECKED BY: K.CAMPBELL	TITLE: Steline Clad Casement Radius Impact Window		
APPROVED BY: D.STOKES			
PART/PROJECT No.: D012438	PLANT NAME AND LOCATION: Hawkins-WI	CAD DWG. No.: StelineCLCSMT Cert	REV: A SHEET
IDENTIFIER NO. N/A			



TYPICAL ELEVATION WITH FASTENER SPACING



CLAD FRAME SECTION (TYP)  
VERTICAL SECTION  
NOTE: Caulk between Window Frame & Wood Opening.  
Scale: 2:1



FRAME JAMB SECTION (TYP)  
HORIZONTAL SECTION  
NOTE: Caulk between Window Frame & Wood Opening.

THRU JAMB INSTALLATION

Max Frame	DP Rating	Impact
28" X 84"	+50/-65	YES

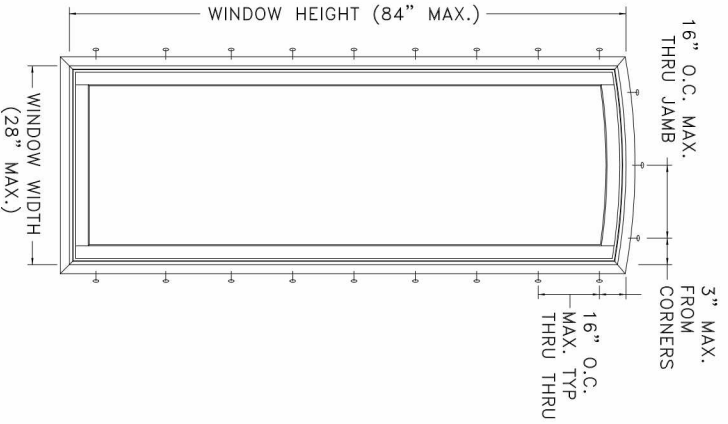
**Installation Notes:**

1. Seal flange/frame to substrate.
2. Use #8 PH or greater fastener through the frame with sufficient length to penetrate a minimum of 1 1/2" into the wood framing. For 2x wood frame substrate (min. S.G. = 0.42)
3. Host structure (wood buck, masonry, steel) to be designed and anchored to properly transfer all loads to the structure. The host structure is the responsibility of the architect or engineer of record for the project of installation.

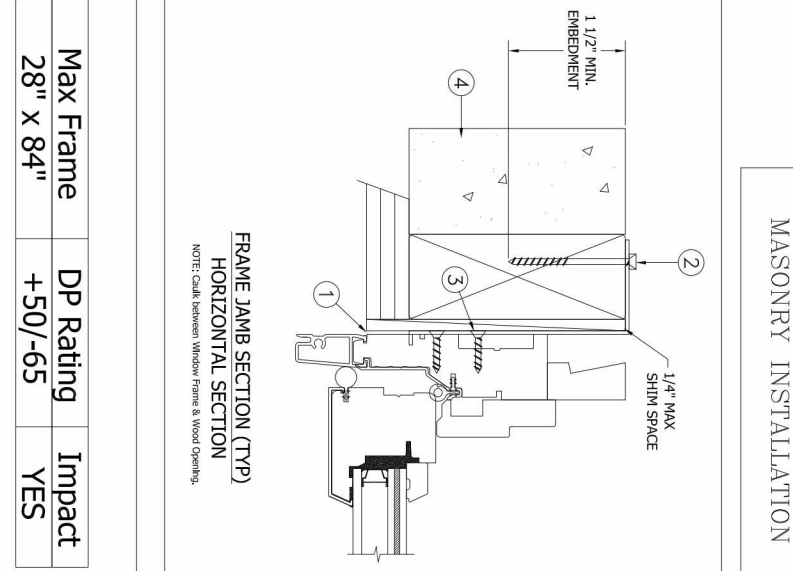
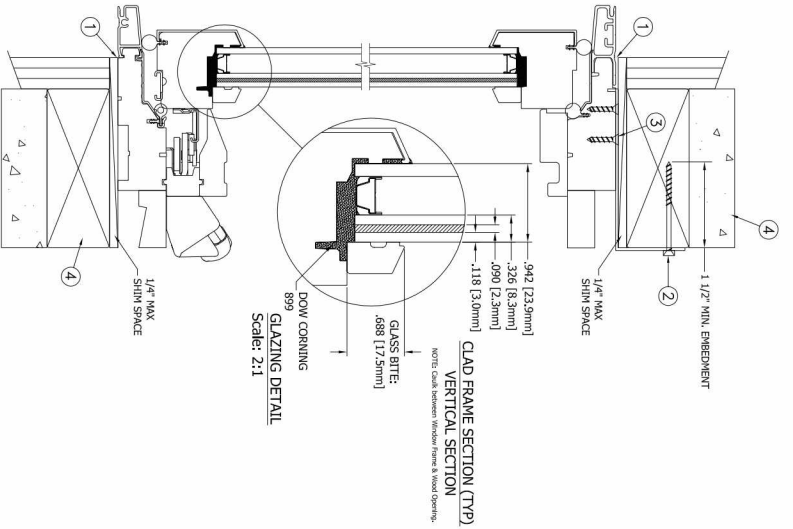
**General Notes:**

1. The product shown herein is designed tested and manufactured to comply with the wind load criteria of the adopted International Building Code (IBC), the International Residential Code (IRC), the Florida Building Code (FBC) and the industry requirement for the stated conditions.
2. All glazing shall conform to ASTM E1300.
3. At minimum, glazing shall be double strength annealed insulating glass.
4. Use structural or composite shims where required.

PROJECT ENGINEER: ---		DATE: 08/22/2016	PLANT NAME AND LOCATION: Hawkins-WI	
DRAWN BY: J.HAWKINS	CHECKED BY: K.CAMPBELL	SCALE: NTS	CAD DWG. No.:	REV:
APPROVED BY: D.STOKES	PART/PROJECT No.:	SHEET		
IDENTIFIER NO. N/A		D012438		
<p>This schedule addresses only the fasteners required to anchor the window to achieve the rated design pressure and impact performance (where applicable) up to the size limitations noted. It is not intended as a guide to the installation process and does not address the sealing consideration that may arise in different wall conditions. For the complete installation procedure, see the instructions packaged with the window or go to <a href="http://www.jeld-wen.com/resources/installation">www.jeld-wen.com/resources/installation</a>.</p> <p><b>DISCLAIMER:</b> This drawing and its contents are confidential and are not to be reproduced or copied in whole or in part or used or disclosed to others except as authorized by JELD-WEN Inc.</p>		<p>3737 Lakeport Blvd Klamath Falls, OR, 97601 Phone: (800) 535-3936</p> <p><b>JELD-WEN</b></p> <p>Stielmeier Clad Casement Radius Impact Window</p>		



TYPICAL ELEVATION WITH FASTENER SPACING



Max Frame	DP Rating	Impact
28" x 84"	+50/-65	YES

- Installation Notes:**
1. Seal flange/frame to substrate.
  2. Use #8 PFH or larger fasteners through masonry strap with sufficient length to penetrate a minimum of 1 1/2" into the masonry or buck.. For concrete (min. fc = 3000 psi) or masonry substrate (CMU shall adhere to ASTM C90).
  3. Use #8 PFH or larger fasteners through masonry strap into jamb without penetrating through the jamb into product causing visibility or collateral damage to product.
  4. Host structure (wood buck, masonry, steel) to be designed and anchored to properly transfer all loads to the structure. The host structure is the responsibility of the architect or engineer of record for the project of installation.

- General Notes:**
1. The product shown herein is designed tested and manufactured to comply with the wind load criteria of the adopted International Building Code (IBC), the International Residential Code (IRC), the Florida Building Code (FBC) and the industry requirement for the stated conditions.
  2. All glazing shall conform to ASTM E1300.
  3. At minimum, glazing shall be double strength annealed insulating glass.
  4. Use structural or composite shims where required.

This schedule addresses only the fasteners required to anchor the window to achieve the rated design pressure and impact performance (where applicable) up to the size limitations noted. It is not intended as a guide to the installation process and does not address the sealing consideration that may arise in different wall conditions. For the complete installation procedure, see the instructions packaged with the window or go to [www.jeld-wen.com/resources/installation](http://www.jeld-wen.com/resources/installation).

**DISCLAIMER:**  
This drawing and its contents are confidential and are not to be reproduced or copied in whole or in part or used or disclosed to others except as authorized by JELD-WEN Inc.

PROJECT ENGINEER: ---	DATE: 08/22/2016	CAD DWG. No.:	REV:	SHEET
DRAWN BY: J.HAWKINS	SCALE: NTS	StairneCLCSMT Cert	A	
CHECKED BY: K.CAMPBELL	TITLE: Stiline Clad Casement Radius Impact Window			
APPROVED BY: D.STOKES				
PART/PROJECT No.:				
D012438				
IDENTIFIER No.				
N/A				

3737 Lakeport Blvd  
Klamath Falls, OR, 97601  
Phone: (800) 535-3936